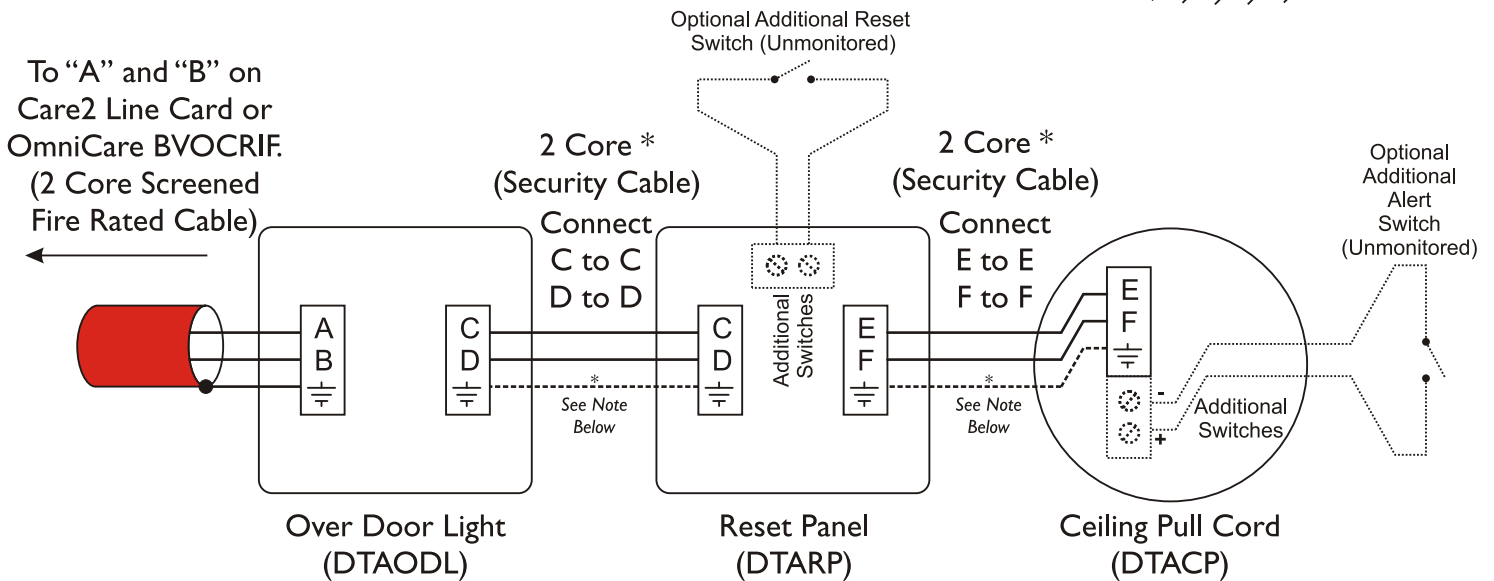
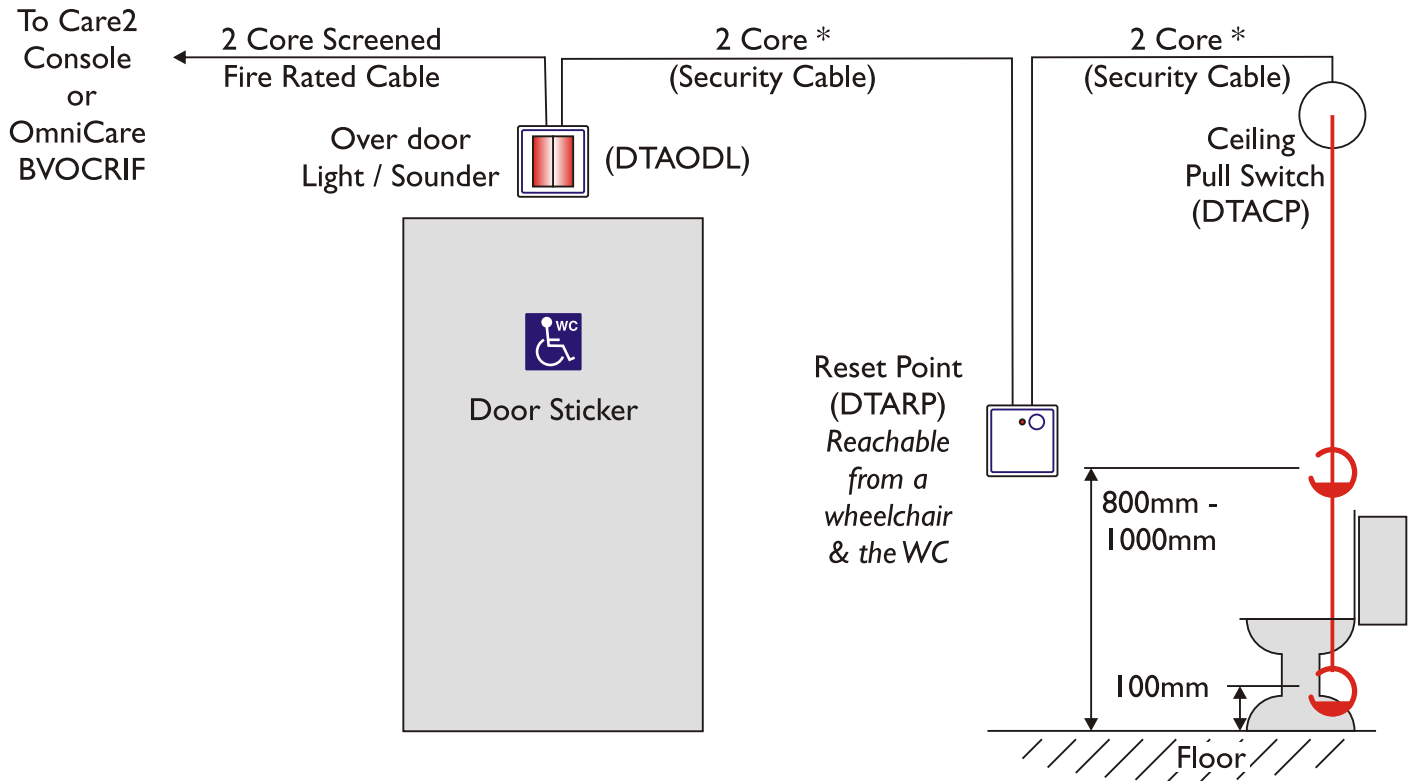




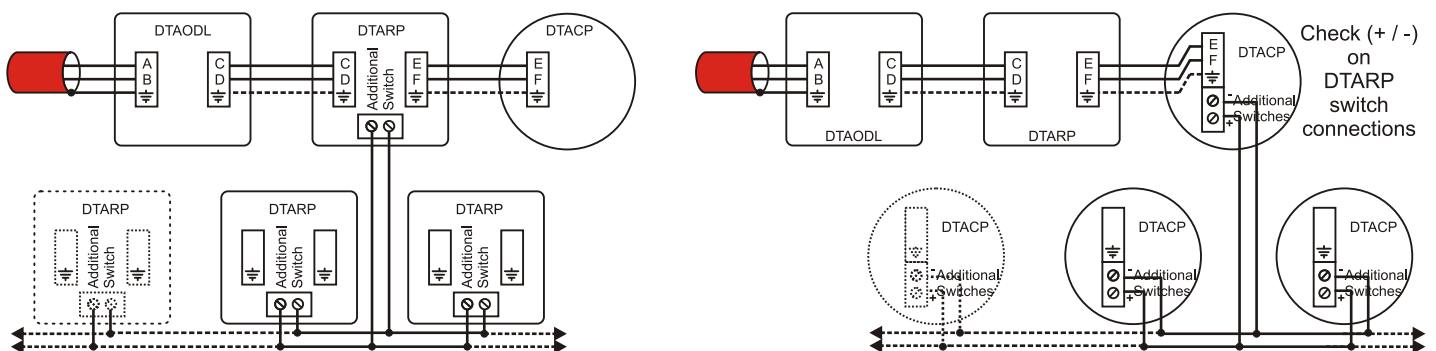
# DTAKIT (Disabled Toilet Alarm Kit)

## Installation and Connection Details

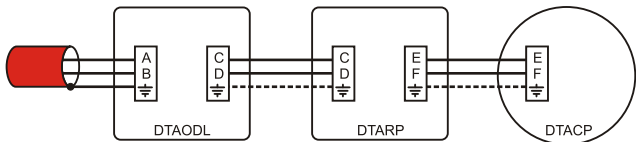


\*The Safety Earth connection MUST be fitted if Stainless Steel front panels or metal back boxes are used.

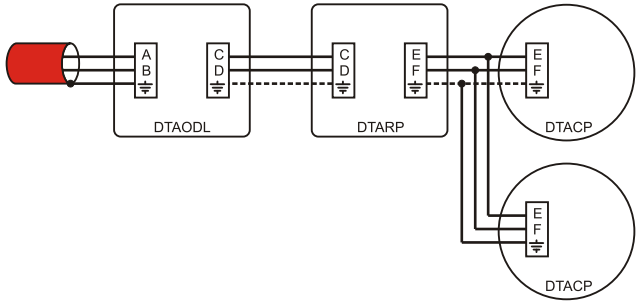
### Connecting Unmonitored Reset (DTARP) or Pull Cord (DTACP) Switches



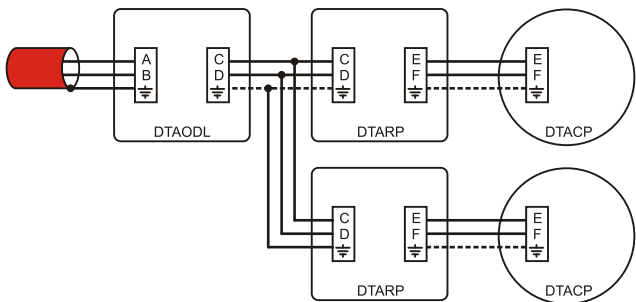
# MONITORED DTAKIT CONFIGURATIONS



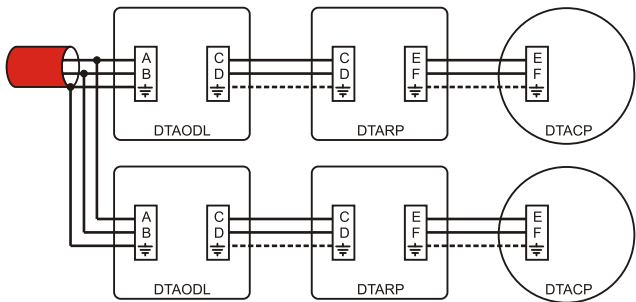
1 x DTAKIT



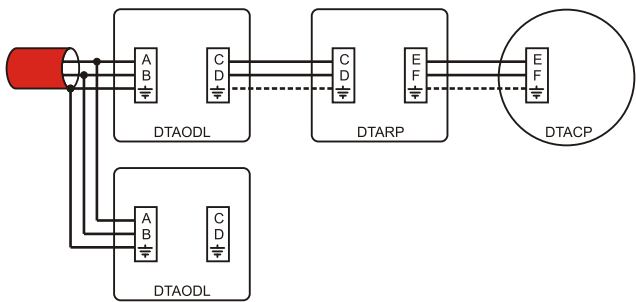
1 x DTAKIT &  
1 x DTACP



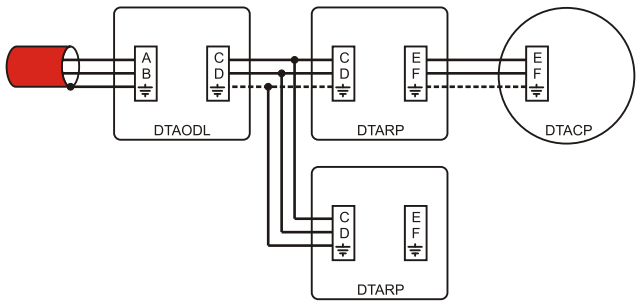
1 x DTAKIT &  
1 x DTARP &  
1 x DTACP



2 x DTAKIT



1 x DTAKIT &  
1 x DTAODL



1 x DTAKIT &  
1 x DTARP